

IT LED



IP20

RoHS compliant

REACH COMPLIANCE

Made in Germany

CE

UK CA

ALU-LINE IT LED - .

ALU-LINE EU, CH, BE GB

LED 1350

Borrow a sample now

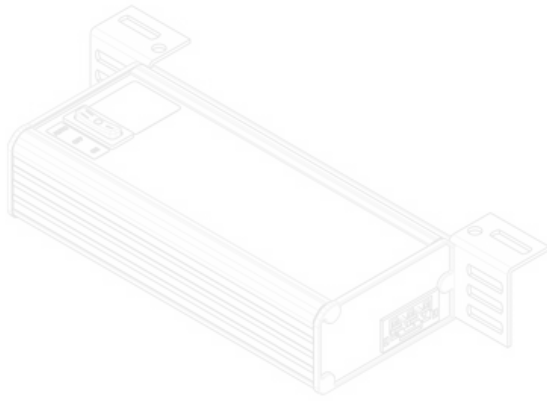


IP (EN 60529)	IP20
	I()
	Enclosure: ,
	-20 C° to 50 C°

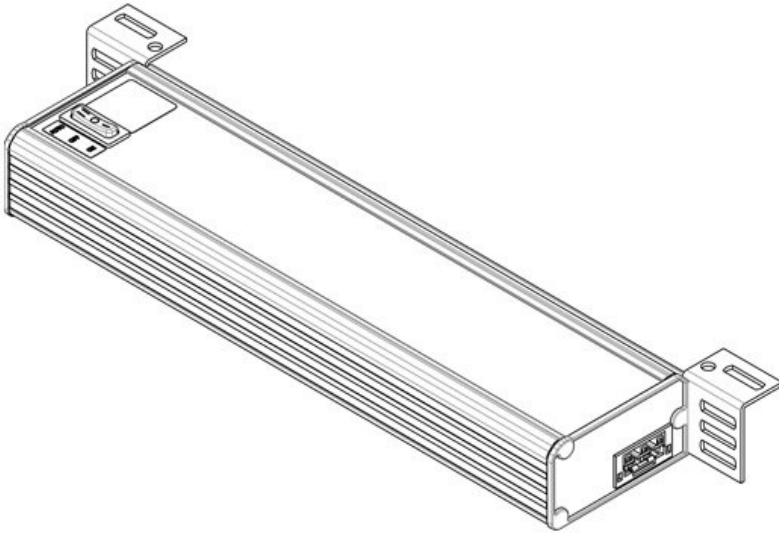
IT

- EU, CH, BE, GB
-
- 35mm
- 1350lm LED
-
-
-

IT

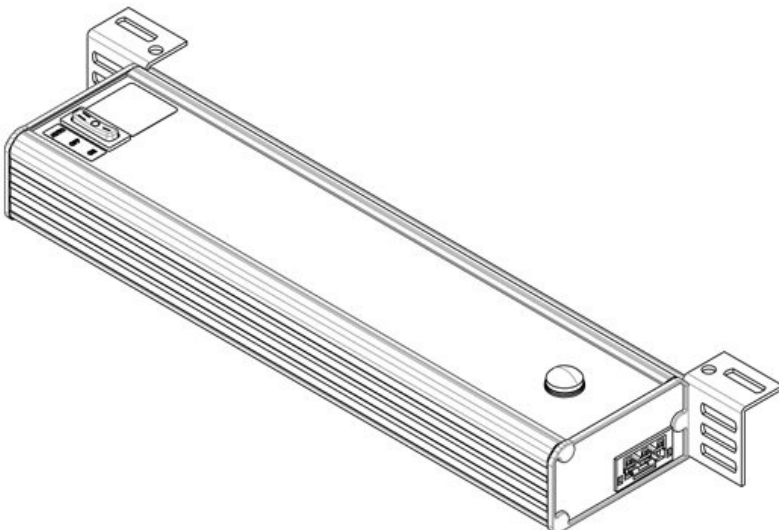


EAN	81404	00 가00	00 00 0000, 00 00 0000
UL0000	1	000 00	GST 18 00
	cURus (in progress)	00 00	6 W
	197,2 mm	00 00	100 - 240 V AC
	48 mm	000 00	EN 60598, EN 62471, EN 55015, EN 61000
	112,6 mm		I(00 00 00) 2014/35/EU, 2014/30/EU 50.000 h F
		00 00 가0000	000 kWh/1000h 13 5.600 K
			00 000 000 CRI >80 900 lm

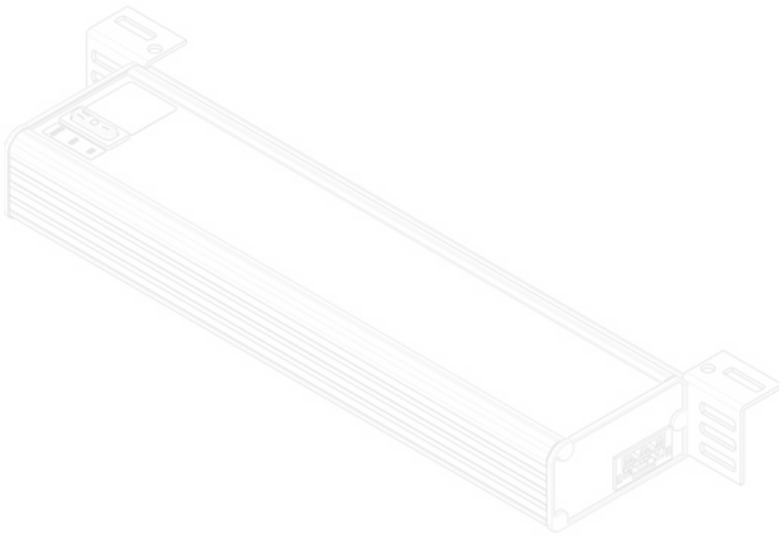


EAN	81403	00 가00	000, 00 00000, 00 0000
UL0000	1	000 00	GST 18 00
	cURus (in progress)	00 00	9 W
	347,2 mm	00 00	100 - 240 V AC
	48 mm	000 00	EN 60598, EN 62471, EN 55015, EN 61000
	112,6 mm		I(00 00 00) 2014/35/EU, 2014/30/EU 50.000 h F
		00 00 가0000	000 kWh/1000h 13 5.600 K
			00 000 000 CRI >80 1.280 lm

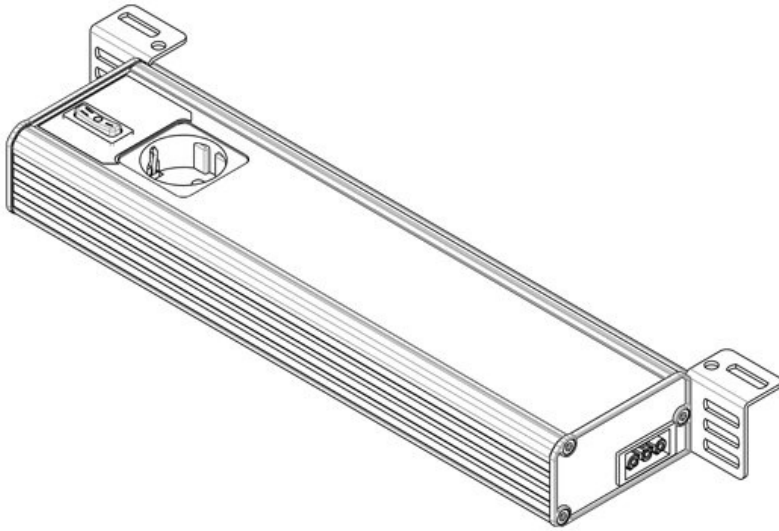
ALU-LINE 350 UL/CSA (00 000)



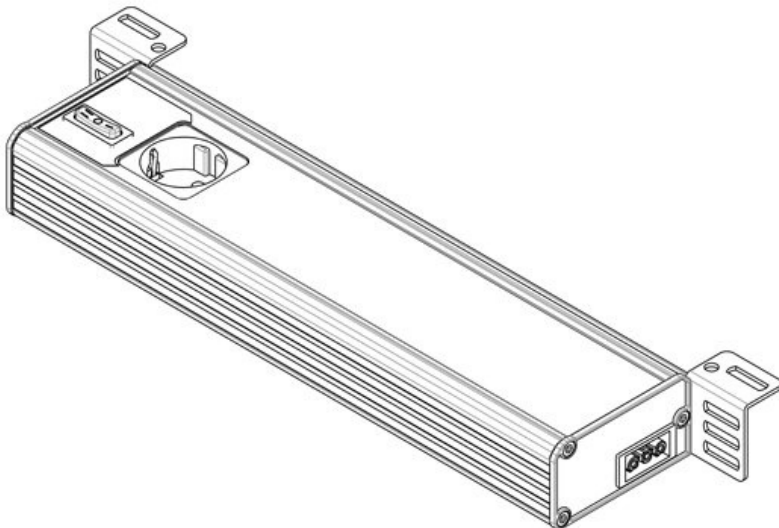
EAN	81401	00 가00	PIR 00 000
UL0000	1	000 00	000, 00 00000
	cURus (in progress)	00 00	GST 18 00
	347,2 mm	00 00	9 W
	48 mm	000 00	100 - 240 V AC
	112,6 mm		EN 60598, EN 62471, EN 55015, EN 61000
		00 00 가0000	I(00 00 00) 2014/35/EU, 2014/30/EU 50.000 h F
			000 kWh/1000h 13 5.600 K
			00 000 000 CRI >80 1.280 lm



EAN	81408	00 가00	000, 00 0000, 00 000
UL000	1	000 00	GST 18 00
	cURus (in progress)	00 00	9 W
	347,2 mm	00 00	120 V AC
	48 mm	000 00	EN 60598, EN 62471, EN 55015, EN 61000
	112,6 mm		I(00 00 00)
		00 00	2014/35/EU, 2014/30/EU
		가0000	50.000 h
			F
		000 kWh/1000h	13
			5.600 K
		00 000 000 CRI	>80
			1.280 lm

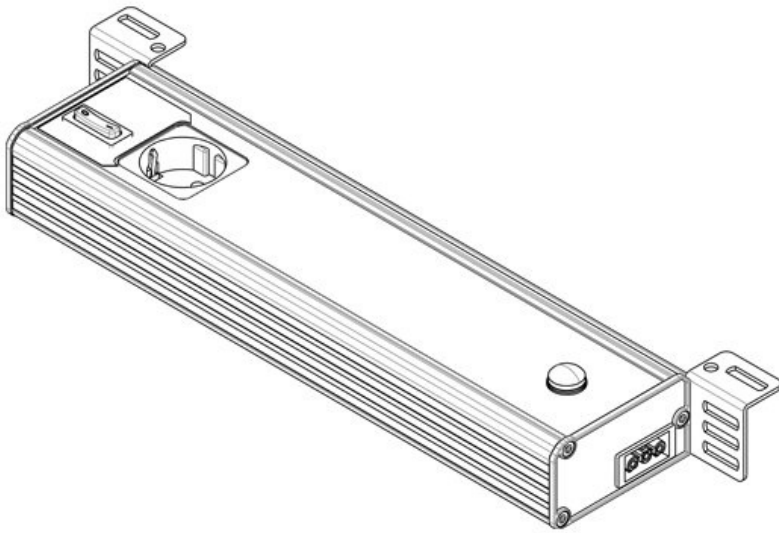


EAN	81300	00 가00	00 00 000, 00 00 000
	42512693328		
	83	000 00	GST 18 00
	1	00 00	12 W
	347,2 mm	00 00	230 V AC
	48 mm		+/-5%, 50 - 60 Hz
	112,6 mm		EN 60598, EN 62471, EN 55015, EN 61000
	00 D/00(00 F, CEE 00 7/3)		I(00 00 00)
		00 00	2014/35/EU, 2014/30/EU
		가0000	50.000 h
			F
		000 kWh/1000h	13
			5.600 K
		00 000 000 CRI	>80
			1.350 lm



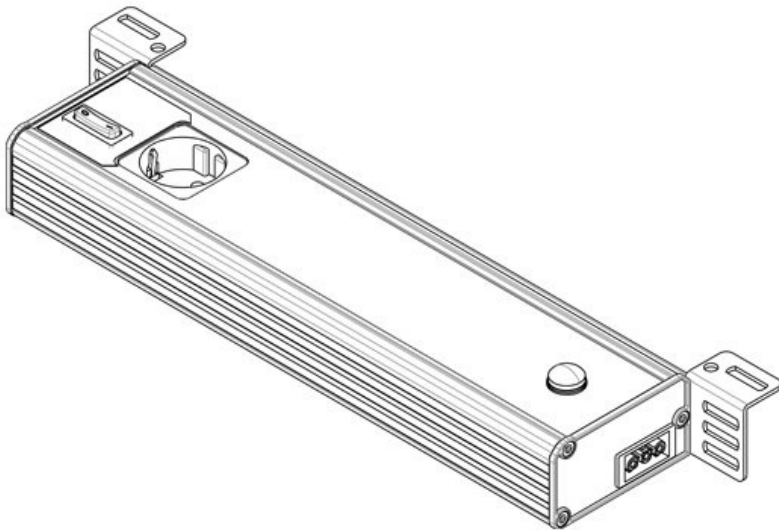
EAN	81308	00 가00	00 00 000, 00 00 000
	1	000 00	GST 18 00
	347,2 mm	00 00	12 W
	48 mm	00 00	230 V AC
	112,6 mm		+/-5%, 50 - 60 Hz
	00 D/00(00 F, CEE 7/3)		EN 60598, EN 62471, EN 55015, EN 61000
		00 00	I(00 00 00)
		가0000	2014/35/EU, 2014/30/EU
			50.000 h
			F
		000 kWh/1000h	13
			5.600 K
		00 000 000 CRI	>80
			1.350 lm

ALU-LINE 350 | EU (00 000)

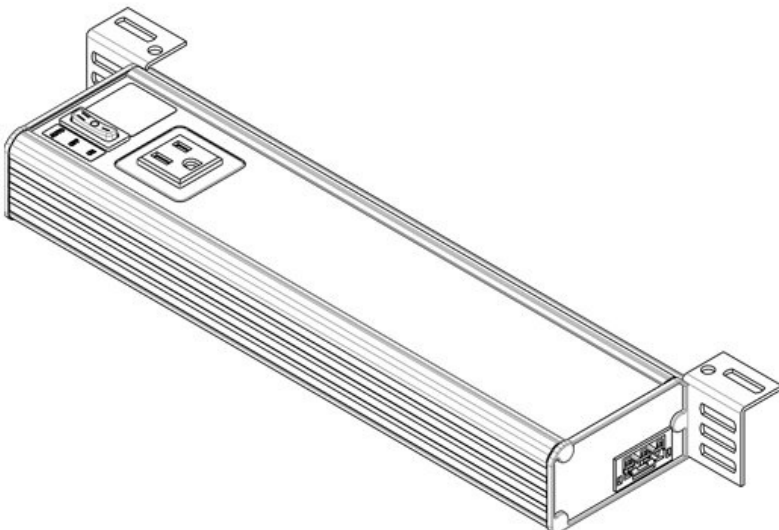


EAN	81304	00 가00	000, 00 0000
	42512693329	000 00	GST 18 00
	20	00 00	12 W
	1	00 00	230 V AC
	347,2 mm		+/-5%, 50 -
	48 mm		60 Hz
	112,6 mm	000 00	EN 60598, EN
	00 D/00(00 F, CEE		62471, EN
	7/3), PIR 00 000		55015, EN
			61000
		00 00	I(00 00 00)
		가0000	2014/35/EU,
			2014/30/EU
			50.000 h
			F
		000 kWh/1000h	13
			5.600 K
		00 000 000 CRI	>80
			1.350 lm

ALU-LINE 350 | EU (00 000)

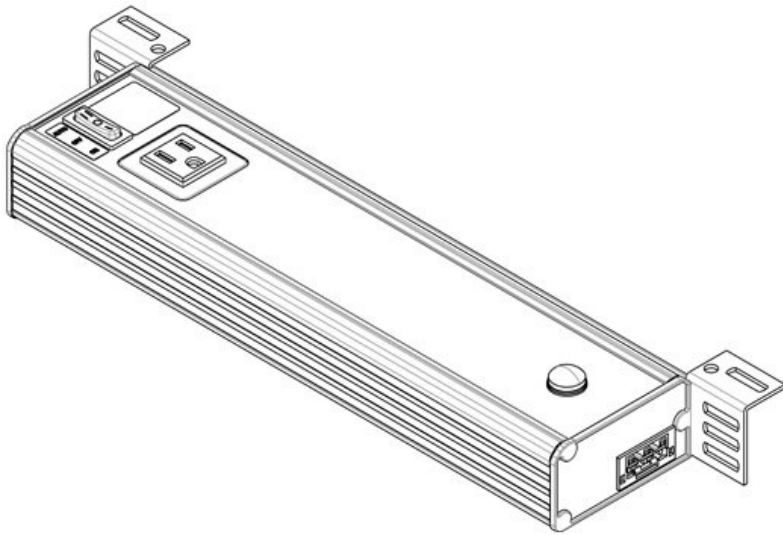


EAN	81309	00 가00	000, 00 0000
		000 00	GST 18 00
	1	00 00	12 W
	347,2 mm	00 00	230 V AC
	48 mm		+/-5%, 50 -
	112,6 mm		60 Hz
	00 D/00(00 F, CEE	00	EN 60598, EN
	7/3), PIR 00 000		62471, EN
			55015, EN
			61000
		00 00	I(00 00 00)
		가0000	2014/35/EU,
			2014/30/EU
			50.000 h
			F
		000 kWh/1000h	13
			5.600 K
		00 000 000 CRI	>80
			1.350 lm



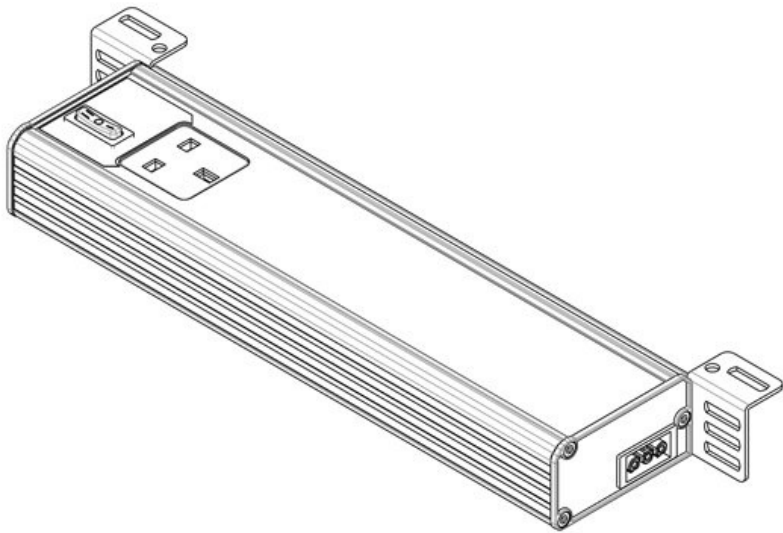
EAN	81402		Steckdose_U
			S_Typ_B_NEM
	1		A-5
UL000	cURus (in progress)	00 가00	00 00 000, 00 00
	347,2 mm	000 00	000
	48 mm	00 00	GST 18 00
	112,6 mm	00 00	9 W
			100 - 240 V
			AC
		000 00	EN 60598, EN
			62471, EN
			55015, EN
			61000
		00 00	I(00 00 00)
		가0000	2014/35/EU,
			2014/30/EU
			50.000 h
			F
		000 kWh/1000h	13
			5.600 K
		00 000 000 CRI	>80
			1.280 lm

ALU-LINE 350 UL/CSA | US (00 000)



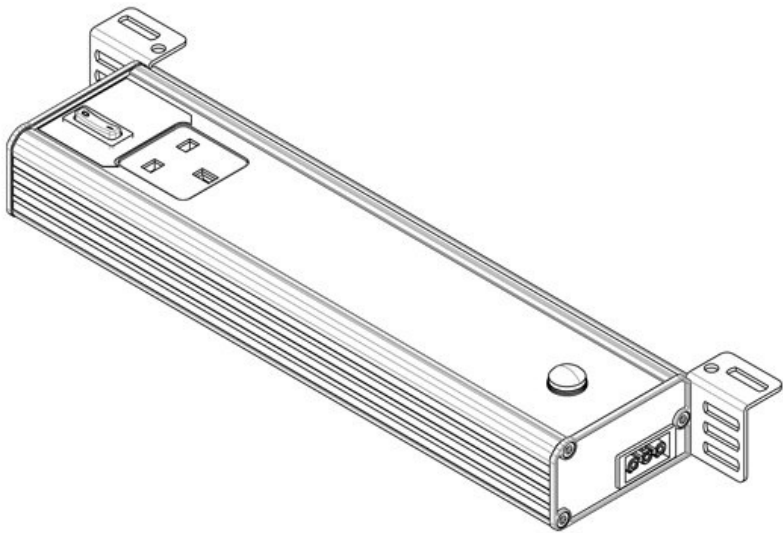
EAN	81400	PIR 00 000,
	42512693334	Steckdose_U
	77	S_Typ_A_NEM
	1	A-5
UL000	cURus (in	00 가00
	progress)	000 00
	347,2 mm	00 00
	48 mm	00 00
	112,6 mm	000 00
		00 00
		가0000
		000 kWh/1000h
		13
		5.600 K
		00 000 000 CRI
		>80
		1.280 lm

ALU-LINE 350 GB | GB (00 000)

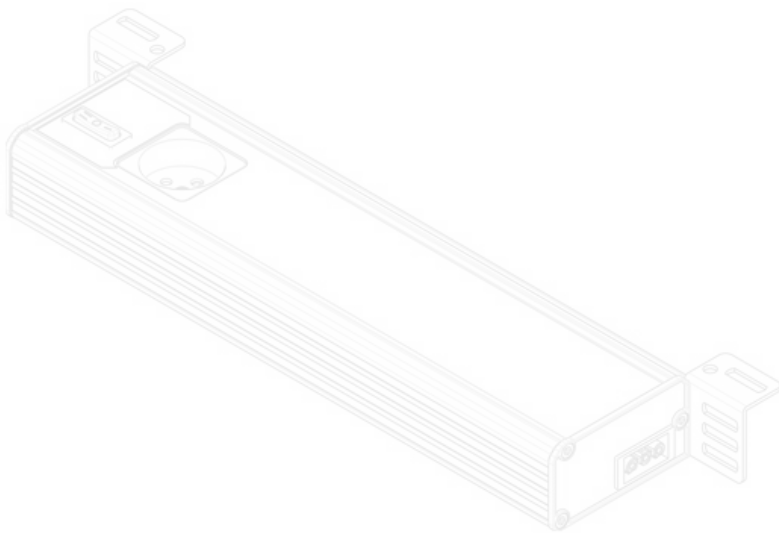


EAN	81303	00 가00	00 00 000, 00 00
	42512693329	000 00	000
	13	000 00	GST 18 00
	1	00 00	12 W
	347,2 mm	00 00	230 V AC
	48 mm		+/-5%, 50 -
	112,6 mm		60 Hz
	00 GB(00 G, BS		EN 60598, EN
	1363)		62471, EN
			55015, EN
			61000
		00 00	I(00 00 00)
		가0000	2014/35/EU,
			2014/30/EU
			50.000 h
			F
		000 kWh/1000h	13
			5.600 K
		00 000 000 CRI	>80
			1.350 lm

ALU-LINE 350 | GB (00 000)



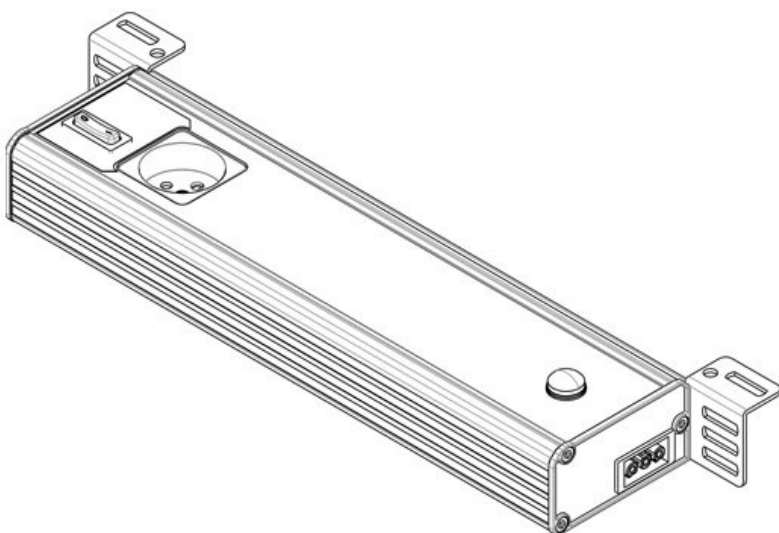
EAN	81307	00 가00	000, 00 0000
	42512693329	000 00	GST 18 00
	51	00 00	12 W
	1	00 00	230 V AC
	347,2 mm		+/-5%, 50 -
	48 mm		60 Hz
	112,6 mm	000 00	EN 60598, EN
	00 GB(00 G, BS		62471, EN
	1363), PIR 00		55015, EN
	000		61000
		00 00	I(00 00 00)
		가0000	2014/35/EU,
			2014/30/EU
			50.000 h
			F
		000 kWh/1000h	13
			5.600 K
		00 000 000 CRI	>80
			1.350 lm



EAN

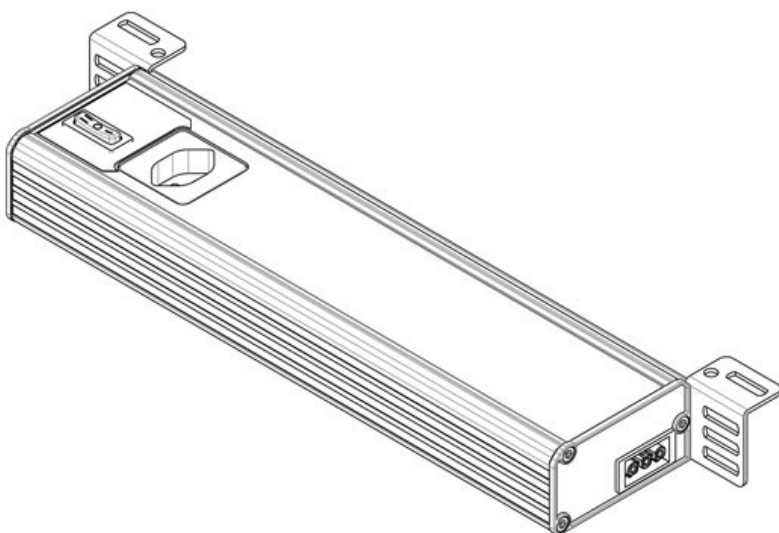
81301	00 가00	00 00 000, 00 00
42512693328	000 00	000
90	000 00	GST 18 00
1	00 00	12 W
347,2 mm	00 00	230 V AC
48 mm		+/-5%, 50 -
112,6 mm		60 Hz
00 F/B(00 E, CEE 7/5)	000 00	EN 60598, EN 62471, EN 55015, EN 61000
	00 00	I(00 00 00)
	가0000	2014/35/EU, 2014/30/EU
		50.000 h
		F
	000 kWh/1000h	13
		5.600 K
	00 000 000 CRI	>80
		1.350 lm

ALU-LINE 350 | BE (00 000)



EAN

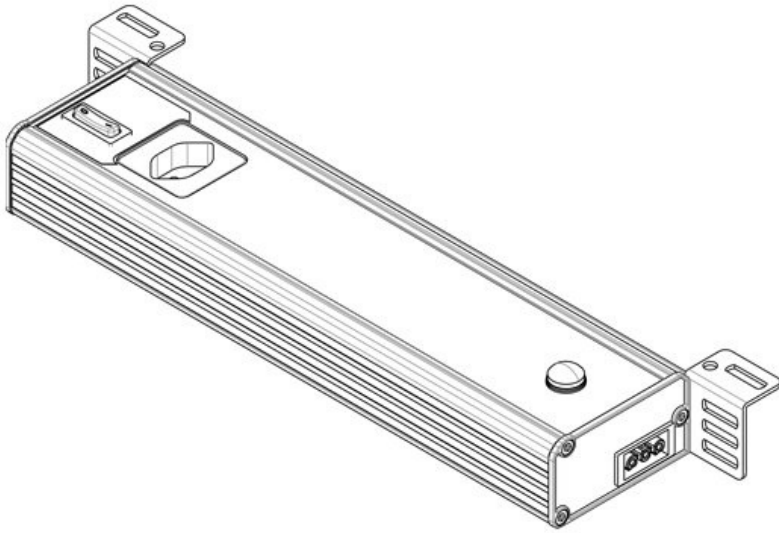
81305	00 가00	000, 00 0000
42512693329	000 00	GST 18 00
37	00 00	12 W
1	00 00	230 V AC
347,2 mm		+/-5%, 50 -
48 mm		60 Hz
112,6 mm	000 00	EN 60598, EN 62471, EN 55015, EN 61000
PIR 00 000, 00 F/B(00 E, CEE 7/5)		
	00 00	I(00 00 00)
	가0000	2014/35/EU, 2014/30/EU
		50.000 h
		F
	000 kWh/1000h	13
		5.600 K
	00 000 000 CRI	>80
		1.350 lm



EAN

81302	00 가00	00 00 000, 00 00
42512693329	000 00	000
06	000 00	GST 18 00
1	00 00	12 W
347,2 mm	00 00	230 V AC
48 mm		+/-5%, 50 -
112,6 mm		60 Hz
00 CH(00), SEV000 00 1011)		EN 60598, EN 62471, EN 55015, EN 61000
	00 00	I(00 00 00)
	가0000	2014/35/EU, 2014/30/EU
		50.000 h
		F
	000 kWh/1000h	13
		5.600 K
	00 000 000 CRI	>80
		1.350 lm

ALU-LINE 350 | CH (00 000)



EAN	81306	00 가00	000, 00 0000
	42512693329	000 00	GST 18 00
	44	00 00	12 W
	1	00 00	230 V AC
	347,2 mm		+/-5%, 50 -
	48 mm		60 Hz
	112,6 mm	000 00	EN 60598, EN
	PIR 00 000, 00		62471, EN
	CH(00J, SEV		55015, EN
	1011)		61000
		00 00	I(00 00 00)
		가0000	2014/35/EU,
			2014/30/EU
			50.000 h
			F
		000 kWh/1000h	13
			5.600 K
		00 000 000 CRI	>80
			1.350 lm

00 000 ALU-LINE, 3000 mm



EAN	81330	000 00 00	PVC
	42512693329		
	68		
	1		
	3.000 mm		
	000, GST 18 000		
	230 V AC		
	±5%, 50 - 60		
	Hz		

00 000 ALU-LINE (UL/CSA), 3000 mm



EAN	81430	000 00 00	PVC
	1		
	cURus (in		
	progress)		
	3.000 mm		
	000, GST 18 000		
	230 V AC		
	±5%, 50 - 60		
	Hz		

ALU-LINE, 600 mm



EAN 81331 42512693329 75 1
600 mm
GST 18 ,
GST 18
230 V AC
±5%, 50 - 60
Hz

ALU-LINE (UL/CSA), 600 mm



EAN 81431
UL
600 mm
GST 18 ,
GST 18
230 V AC
±5%, 50 - 60
Hz

ALU-LINE, 1000 mm



EAN 81332 42512693329 82 1
1.000 mm
GST 18 ,
GST 18
230 V AC
±5%, 50 - 60
Hz

ALU-LINE (UL/CSA), 1000 mm



EAN

81432

PVC

UL

1

cURus (in progress)

1.000 mm

GST 18

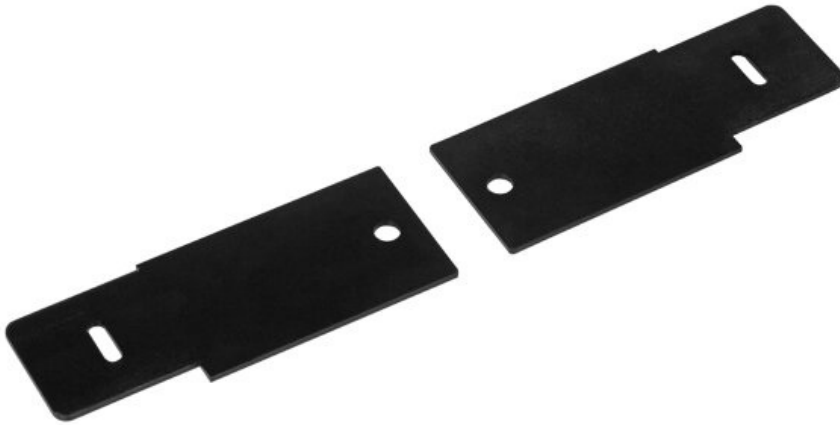
GST 18

230 V AC

±5%, 50 - 60

Hz

19" ALU-LINE



EAN

81337

7 mm

2

111 mm

43,4 mm

2

ALU-LINE



EAN

91008

4,2 mm

1

20 mm

5 mm

20 mm

1

