

Bulkhead fittings & couplings

for pneumatic hoses 4-12 mm



RoHS
compliant

REACH
COMPLIANCE

The bulkhead fittings & couplings for pneumatic hoses are also available individually, e.g. for use with the [AT-K-M](#) and [QT-AT-K-M adapter grommets](#).

This means that pneumatic bulkhead couplings M12 × 1.0 and M14 × 1.0 can be integrated directly into the cable entry frame.

Specifications

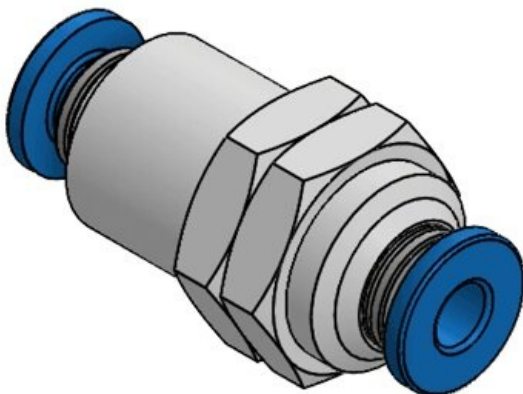
Material	Brass, nickel-plated
Flame class	UL94-V0, self-extinguishing
Operating temperature	-40 C° to 100 C°
Properties	silicone free, halogen free
Mounting options	Screw type mounting

Advantages & Benefits

- By utilising the adapter grommets AT-K-M, pneumatic bulkhead fittings & couplings can be integrated directly into the cable entry frame
- Separate cut-outs are no longer necessary
- Space-saving solution

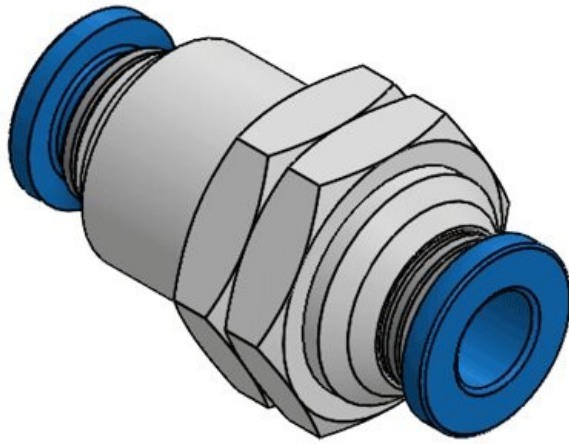
Product types & Sizes

Bulkhead coupling D4



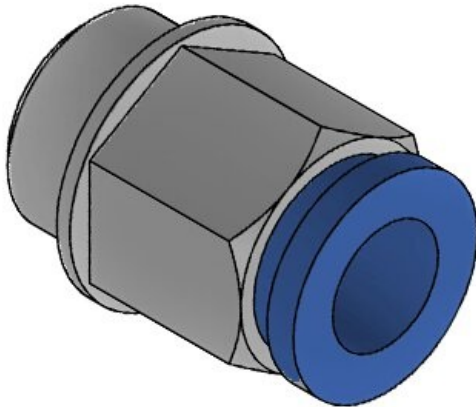
Part No.	99210
EAN	4251269325601
Package quantity	10
Thread	M12 × 1,0
Length	30,8 mm
For pneumatic hose	4 mm

Bulkhead coupling D6



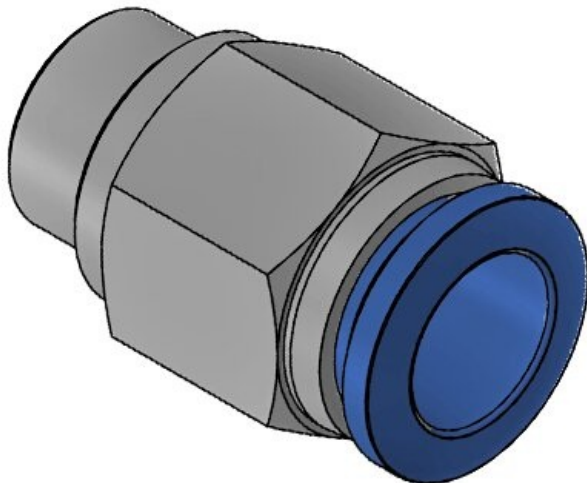
Part No. **99211**
EAN **4251269325**
618
Package quantity **10**
Thread **M14 × 1,0**
Length **32,3 mm**
For pneumatic hose **6 mm**

Bulkhead fitting D8



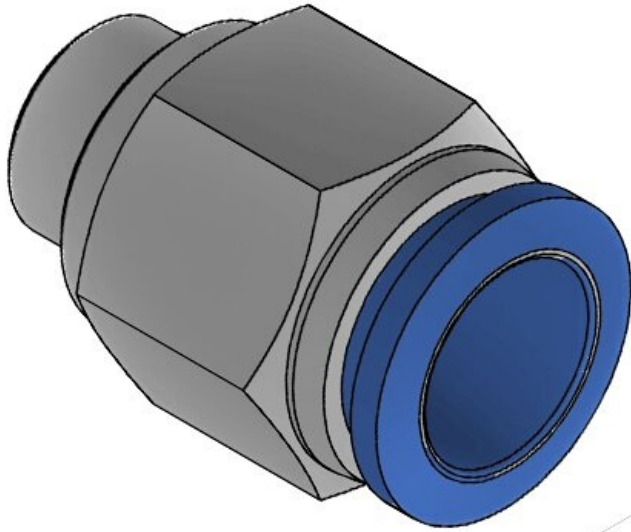
Part No. **99227**
EAN **4251269332**
012
Package quantity **10**
Thread **1/4"**
Length **23 mm**
For pneumatic hose **8 mm**

Bulkhead fitting D10



Part No. **99228**
EAN **4251269332**
029
Package quantity **10**
Thread **1/4"**
Length **29,5 mm**
For pneumatic hose **10 mm**

Bulkhead fitting D12



Part No. **99229**
EAN **4251269332**
036
Package quantity **10**
Thread **1/4"**
Length **31,5 mm**
For pneumatic hose **12 mm**

icotek[®]
smart cable management