

# KDR-VX25 | Enclosure gland plates

for Rittal VX25 enclosures / IP54



IP54

HL3  
EN 45545-2

RoHS  
compliant

REACH  
COMPLIANCE

Made in  
Germany

KDR-VX25 is a one-piece gland plate to be assembled on enclosure bases. The gland plates are already equipped with cut-outs for the [KEL-U](#), [KEL-FA](#), [KEL-QUICK](#) or [KEL-JUMBO](#) cable entry systems.

The threaded mounting holes for the KEL frames are already integrated. Cut-outs which are no longer required are closed with [BPM](#) or [BPK](#) blank plates.

The KDR-VX25 gland plate is designed for Rittal VX25 enclosures. Other sizes are also available on request.

## Specifications

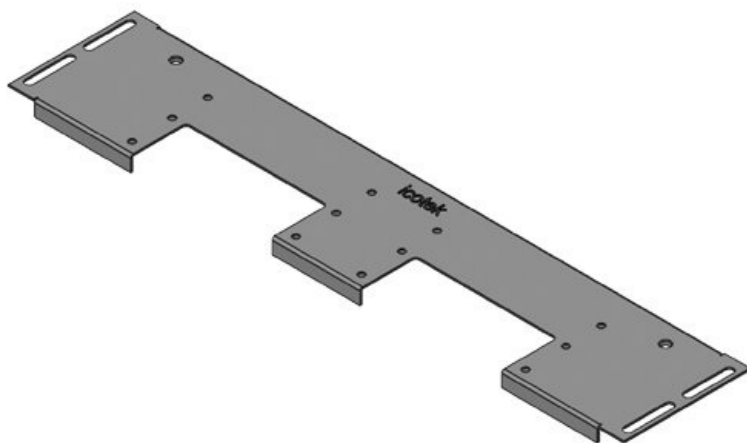
<b>IP rating (EN 60529)</b>	IP54
<b>Material</b>	Base plate: Steel, zinc plated
<b>Flame class</b>	UL94-V0, self-extinguishing
<b>Properties</b>	silicone free, halogen free
<b>Mounting options</b>	Screw type mounting

## Advantages & benefits

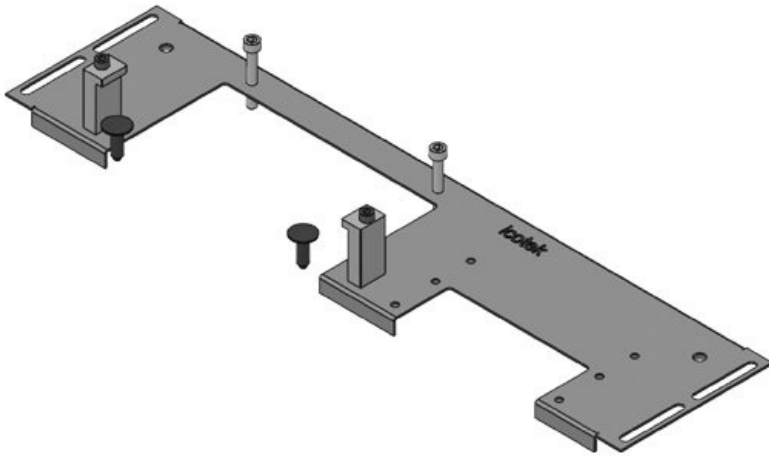
- Easy assembly of KEL-U, KEL-FA, KEL-QUICK, KEL-JUMBO
- Prepared for the assembly of KDR-EMC-PFM
- Threaded pull-through for earthing tape integrated
- Ideal for maintenance and retrofitting
- Reserve can be scheduled
- Space-saving solution
- No additional sheet metal work required
- Very large connectors can be inserted with ease

## Product types & sizes

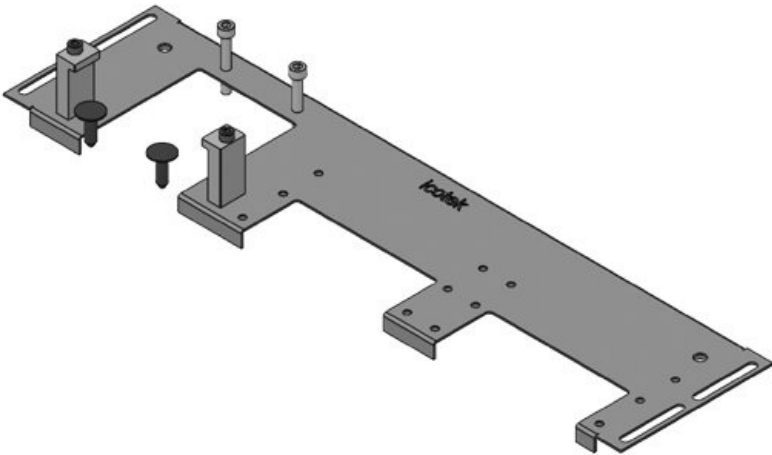
KDR-VX25-600-44300



Part No.	<b>44300</b>	For enclosure	<b>600 mm</b>
EAN	<b>4251269336</b>	width	
	<b>430</b>	Sight size of	<b>452 mm</b>
Package	<b>1</b>	base opening	
quantity		Suitable for	<b>2 x KEL-U 24</b>
Length	<b>488 mm</b>	cable entry	<b>/ KEL-FA 24 /</b>
Width	<b>100 mm</b>	systems:	<b>KEL-QUICK</b>
Height	<b>12 mm</b>		<b>24</b>
Total length	<b>488 mm</b>	Suitable for	<b>Rittal VX25</b>
gland plate		enclosure	



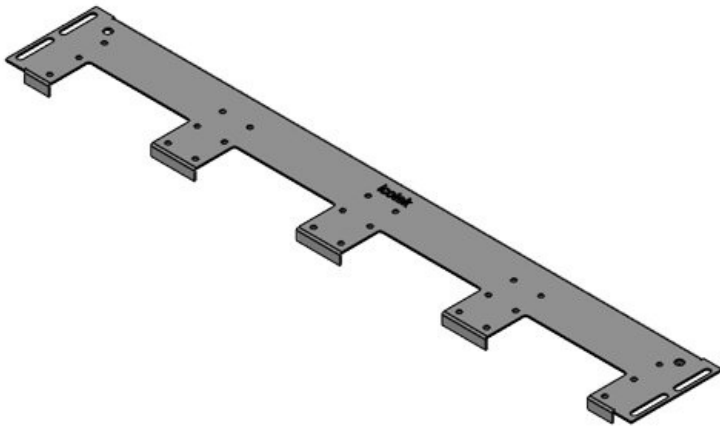
Part No.	<b>44301</b>	For enclosure width	<b>600 mm</b>
EAN	<b>4251269336</b>	Sight size of base opening	<b>452 mm</b>
Package quantity	<b>1</b>	Suitable for cable entry systems:	<b>1 × KEL-JUMBO 2   1 × KEL-U 24 / KEL-FA 24 / KEL-QUICK 24</b>
Length	<b>488 mm</b>	Suitable for enclosure	<b>Rittal VX25</b>
Width	<b>120 mm</b>		
Height	<b>12 mm</b>		
Total length gland plate	<b>488 mm</b>		



Part No.	<b>44302</b>	For enclosure width	<b>600 mm</b>
EAN	<b>4251269336</b>	Sight size of base opening	<b>452 mm</b>
Package quantity	<b>1</b>	Suitable for cable entry systems:	<b>1 × KEL-JUMBO 1   2 × KEL-U 24 / KEL-FA 24 / KEL-QUICK 24</b>
Length	<b>488 mm</b>	Suitable for enclosure	<b>Rittal VX25</b>
Width	<b>120 mm</b>		
Height	<b>12 mm</b>		
Total length gland plate	<b>488 mm</b>		

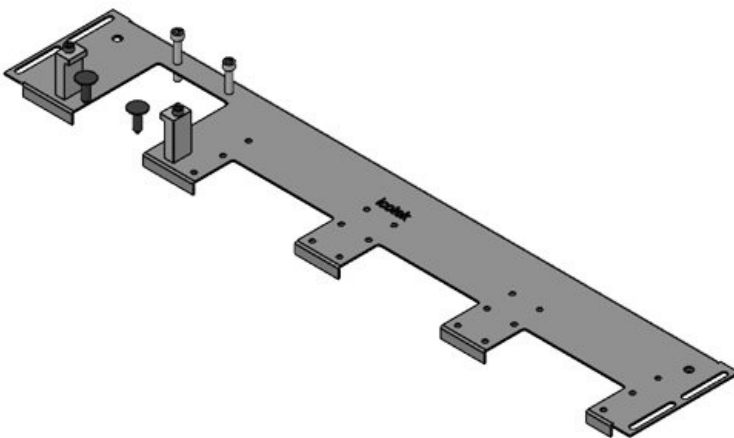
KDR-VX25-800-44303

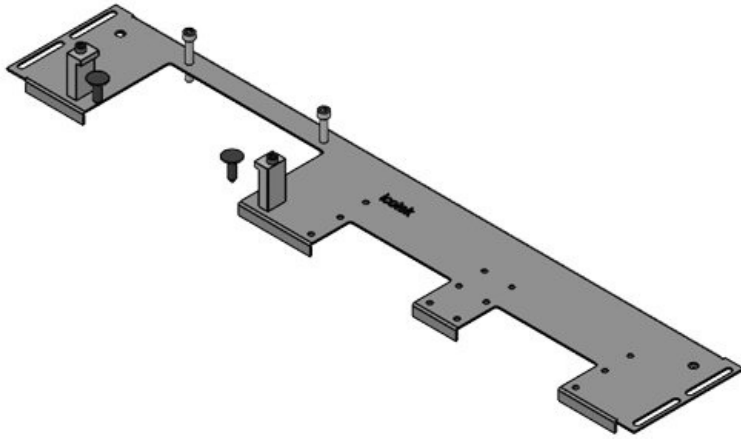
Part No.	<b>44303</b>	For enclosure width	<b>800 mm</b>
EAN	<b>4251269336</b>	Sight size of base opening	<b>652 mm</b>
Package quantity	<b>1</b>	Suitable for cable entry systems:	<b>4 × KEL-U 24 / KEL-FA 24 / KEL-QUICK 24</b>
Length	<b>688 mm</b>	Suitable for enclosure	<b>Rittal VX25</b>
Width	<b>100 mm</b>		
Height	<b>12 mm</b>		
Total length gland plate	<b>688 mm</b>		



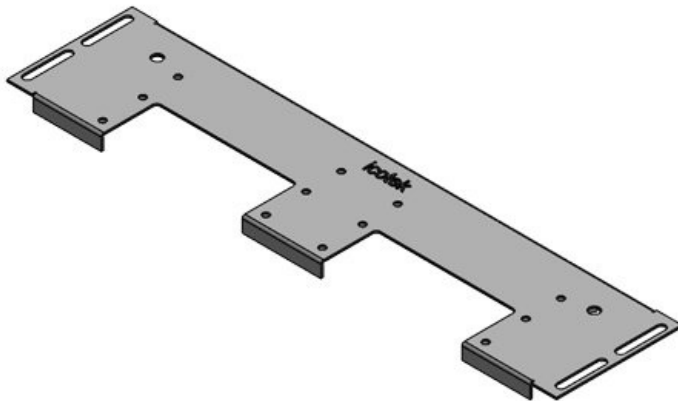
KDR-VX25-800-44304

Part No.	<b>44304</b>	For enclosure width	<b>800 mm</b>
EAN	<b>4251269336</b>	Sight size of base opening	<b>652 mm</b>
Package quantity	<b>1</b>	Suitable for cable entry systems:	<b>1 × KEL-JUMBO 1   3 × KEL-U 24 / KEL-FA 24 / KEL-QUICK 24</b>
Length	<b>688 mm</b>	Suitable for enclosure	<b>Rittal VX25</b>
Width	<b>120 mm</b>		
Height	<b>12 mm</b>		
Total length gland plate	<b>688 mm</b>		





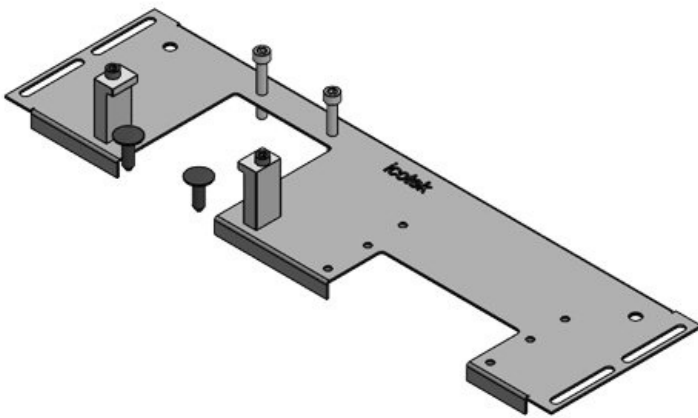
Part No.	<b>44305</b>	For enclosure width	<b>800 mm</b>
EAN	<b>4251269336</b>	Sight size of base opening	<b>652 mm</b>
Package quantity	<b>1</b>	Suitable for cable entry systems:	<b>1 × KEL-JUMBO 2   2 × KEL-U 24 / KEL-FA 24 / KEL-QUICK 24</b>
Length	<b>688 mm</b>		
Width	<b>120 mm</b>		
Height	<b>12 mm</b>		
Total length gland plate	<b>688 mm</b>	Suitable for enclosure	<b>Rittal VX25</b>



Part No.	<b>44306</b>	For enclosure width	<b>1.000 mm</b>
EAN	<b>4251269336</b>	Sight size of base opening	<b>402 mm</b>
Package quantity	<b>1</b>	Division bar	<b>yes</b>
Length	<b>438 mm</b>	Suitable for cable entry systems:	<b>2 × KEL-U 24 / KEL-FA 24 / KEL-QUICK 24</b>
Width	<b>100 mm</b>		
Height	<b>12 mm</b>		
Total length gland plate	<b>438 mm</b>	Suitable for enclosure	<b>Rittal VX25</b>

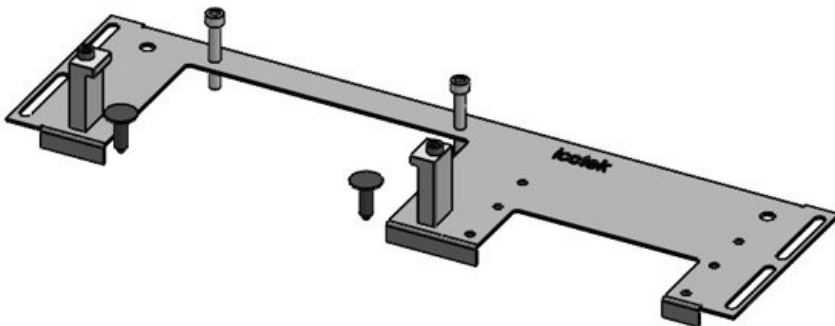
KDR-VX25-1000-44307

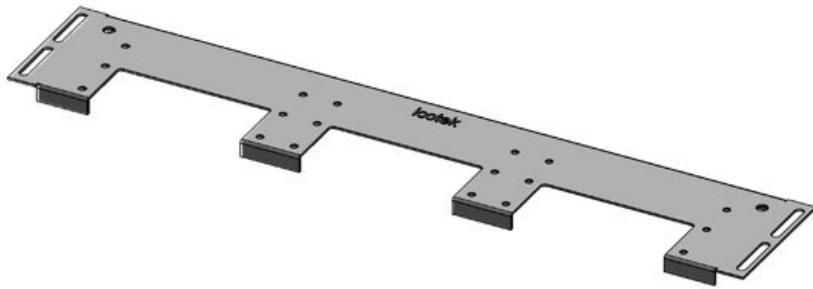
Part No.	<b>44307</b>	For enclosure width	<b>1.000 mm</b>
EAN	<b>4251269336</b>	Sight size of base opening	<b>402 mm</b>
Package quantity	<b>1</b>	Division bar	<b>yes</b>
Length	<b>438 mm</b>	Suitable for cable entry systems:	<b>1 × KEL-JUMBO 1   1 × KEL-U 24 / KEL-FA 24 / KEL-QUICK 24</b>
Width	<b>120 mm</b>		
Height	<b>12 mm</b>		
Total length gland plate	<b>438 mm</b>	Suitable for enclosure	<b>Rittal VX25</b>



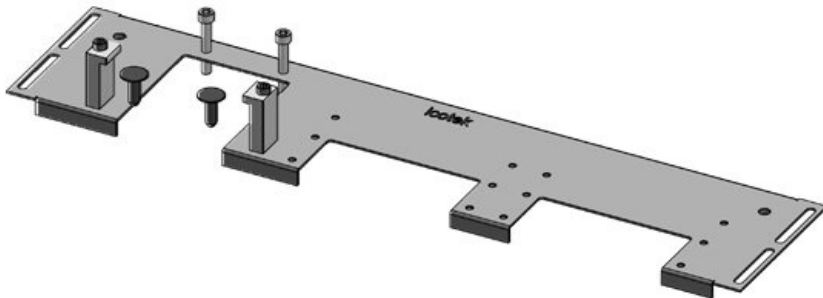
KDR-VX25-1000-44308

Part No.	<b>44308</b>	For enclosure width	<b>1.000 mm</b>
EAN	<b>4251269336</b>	Sight size of base opening	<b>402 mm</b>
Package quantity	<b>1</b>	Division bar	<b>yes</b>
Length	<b>438 mm</b>	Suitable for cable entry systems:	<b>1 × KEL-JUMBO 2   1 × KEL-U 24 / KEL-FA 24 / KEL-QUICK 24</b>
Width	<b>120 mm</b>		
Height	<b>12 mm</b>		
Total length gland plate	<b>438 mm</b>	Suitable for enclosure	<b>Rittal VX25</b>





Part No.	<b>44309</b>	For enclosure width	<b>1.200 mm</b>
EAN	<b>4251269336</b>	Sight size of base opening	<b>502 mm</b>
Package quantity	<b>1</b>	Suitable for cable entry systems:	<b>3 × KEL-U 24 / KEL-FA 24 / KEL-QUICK 24</b>
Length	<b>538 mm</b>	Suitable for enclosure	<b>Rittal VX25</b>
Width	<b>100 mm</b>		
Height	<b>12 mm</b>		
Total length gland plate	<b>538 mm</b>		



Part No.	<b>44310</b>	For enclosure width	<b>1.200 mm</b>
EAN	<b>4251269336</b>	Sight size of base opening	<b>502 mm</b>
Package quantity	<b>1</b>	Suitable for cable entry systems:	<b>1 × KEL-JUMBO 1   2 × KEL-U 24 / KEL-FA 24 / KEL-QUICK 24</b>
Length	<b>538 mm</b>	Suitable for enclosure	<b>Rittal VX25</b>
Width	<b>120 mm</b>		
Height	<b>12 mm</b>		
Total length gland plate	<b>538 mm</b>		

Part No.	<b>44311</b>	For enclosure width	<b>1.200 mm</b>
EAN	<b>4251269336</b>	Sight size of base opening	<b>502 mm</b>
Package quantity	<b>1</b>	Suitable for cable entry systems:	<b>1 × KEL-JUMBO 2   1 × KEL-U 24 / KEL-FA 24 / KEL-QUICK 24</b>
Length	<b>538 mm</b>		
Width	<b>120 mm</b>		
Height	<b>12 mm</b>		
Total length gland plate	<b>538 mm</b>	Suitable for enclosure	<b>Rittal VX25</b>

